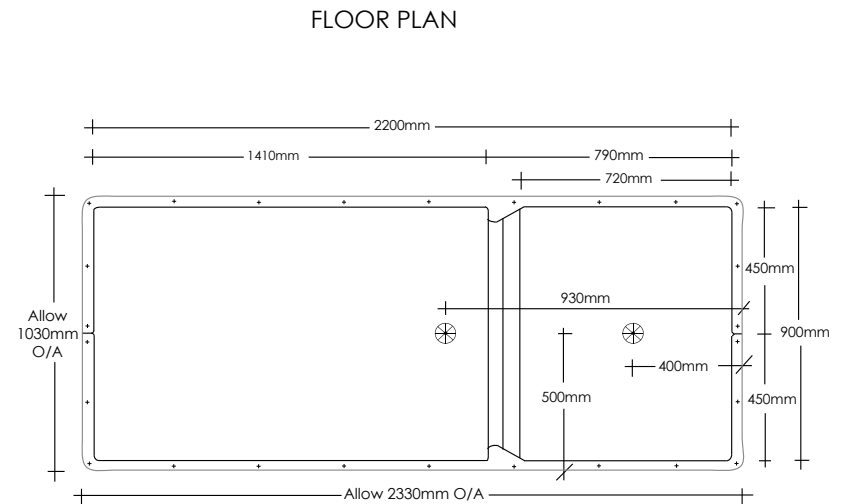
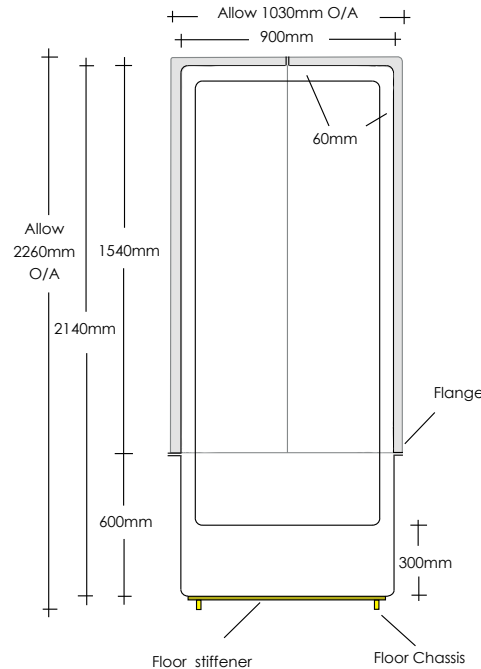
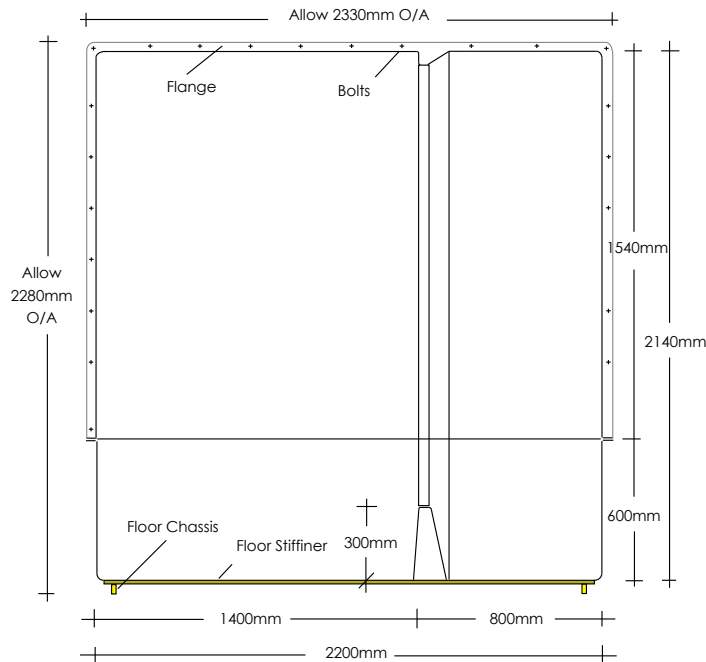


Construction Material:	Fibre Reinforced Plastic (FRP) (Fibreglass)
Average Construction Thickness	5mm
Floor Stiffening	Included (Overall floor thickness approx 18mm)
Number of Components:	Three (3)
Construction Procedure:	Bolted together (using 6 mm x 25mm hex head bolts @ 400mm maximum centers)
Weight:	TBA
Internal Finish:	Smooth Gel Coat (White)
Sub-Floor Requirements	Firm Flat Surface (Concrete floor, timber floor, directly onto joists, chassis or similar)
Left or Right Hand Shower:	Suited to either by rotation of floor and door cut out position
Hip Bath Section:	Included (300mm high)
Door Size:	Variable (Cutout to suit individual application)
Fittings Package Available:	Yes
Suitable for Glass Shower Screens:	Yes
Suitable for Windows:	Yes
Installation Service:	Yes
	SIDE ELEVATION
	END ELEVATION



NOTE: DO NOT SCALE DRAWINGS